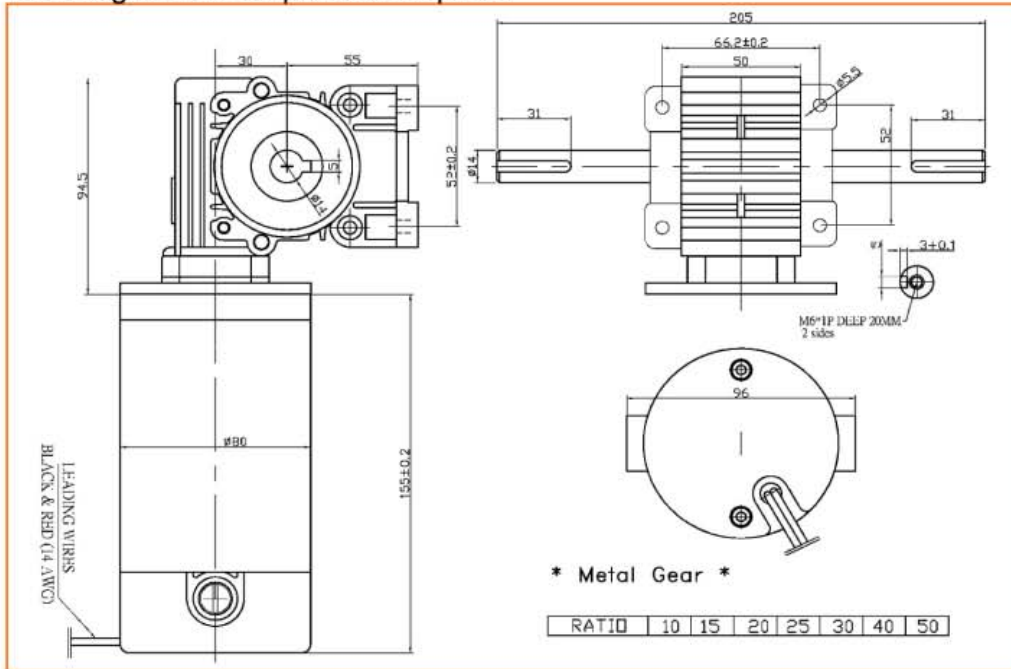


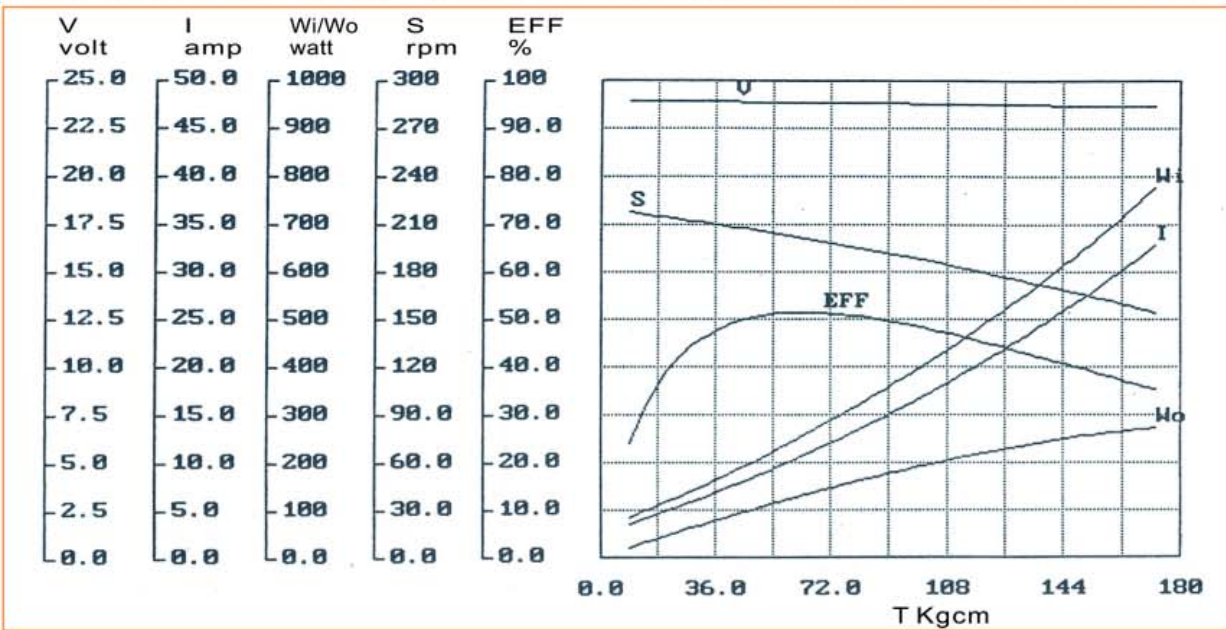


ϕ 80mm , Brass gear
 Ratio (1/ i) : 1/10- 1/50
 With encoder/brake available
 Left/Right side output shaft option

WG7165



24VDC No Load 220rpm (RATIO : 1/15) Torque/Speed Performance Curve



WORM GEAR

NO	R.P.M.	VOLT (V)	I (AMP)	INPUT (W)	TORQUE (KG-CM)	OUTPUT (W)	EFF (%)
1	216.5	23.87	3.59	85.75	9.00	20.00	23.32
2	217.4	23.91	3.96	94.65	15.00	33.50	35.39
3	215.5	23.88	4.66	111.24	19.00	42.00	37.76
4	213.5	23.89	5.25	125.38	23.00	50.40	40.20
5	209.7	23.88	7.22	172.35	38.00	81.80	47.46
6	206.9	23.88	8.29	197.91	46.00	97.60	49.32
7	203.8	23.87	9.79	233.56	56.00	117.10	50.14
8	199.3	23.82	11.56	275.24	69.00	141.10	51.26
9	195.0	23.80	13.42	319.37	82.00	164.10	51.38
10	188.4	23.80	16.33	388.71	98.00	189.40	48.73
11	182.3	23.76	19.64	466.67	116.00	217.00	46.50
12	162.8	23.68	28.69	679.34	154.00	257.20	37.86
13	153.3	23.67	33.25	787.14	175.00	275.30	34.97