

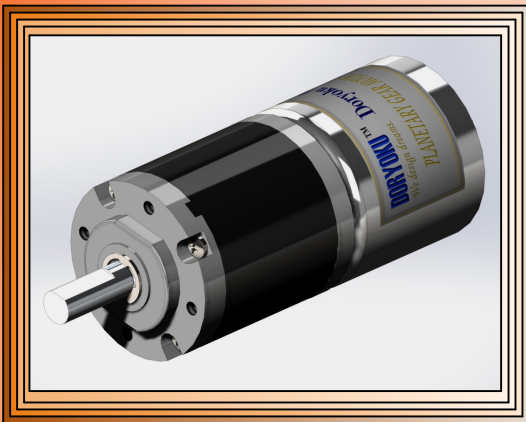
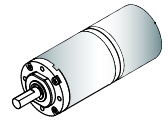


微動力科技有限公司

DORYOKU TECHNICAL CORP. PLANETARY GEAR MOTOR

www.doryoku.com.tw sales@doryoku.com.tw 886-3-4225672

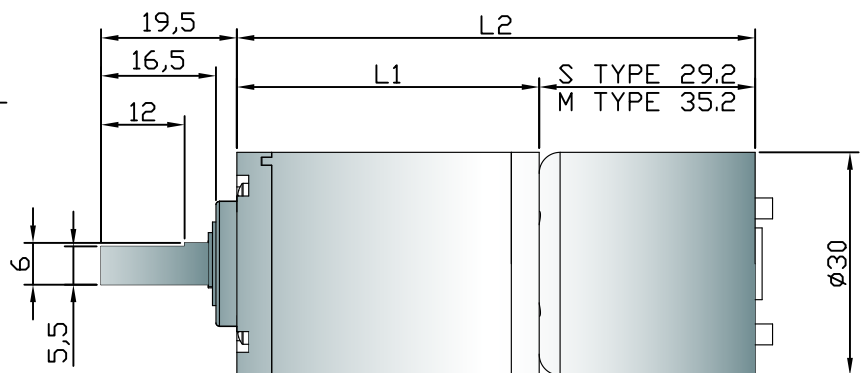
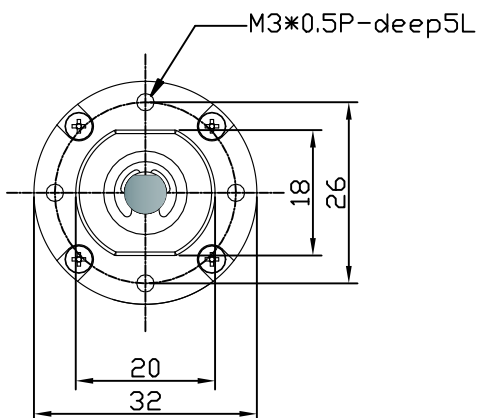
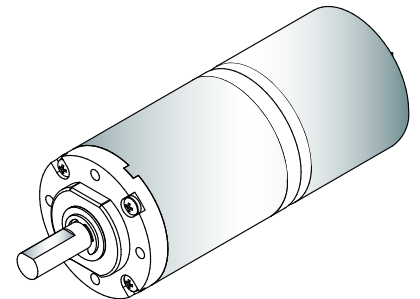
P32



- Reduction Ratio: 1/3.3 - 1/516
- Size: Dia 32 x 50 - 79mm,
6mm Shaft Diameter
- Voltage Range: 6.0 - 36.0V
- Output Speed: 6 - 3000 rpm
- Metal or Plastic Gear Option
- Rated \square /P Torque: 1 to 8Kgcm
- Maximum Input Speed: 12000



| RATIO | L1 | L2(S) | L2(M) |
|-----------------------------|------|-------|-------|
| 3.3 3.8 4.5 5.6 | 21 | 50.2 | 56.2 |
| 15 17 20 25 | 27.8 | 57 | 63 |
| 50 57 65 77 85 97 115 | 35.6 | 64.8 | 70.8 |
| 167 190 217 225 256 283 292 | 43.5 | 72.7 | 78.7 |
| 304 323 347 383 436 516 | | | |



MADE IN TAIWAN