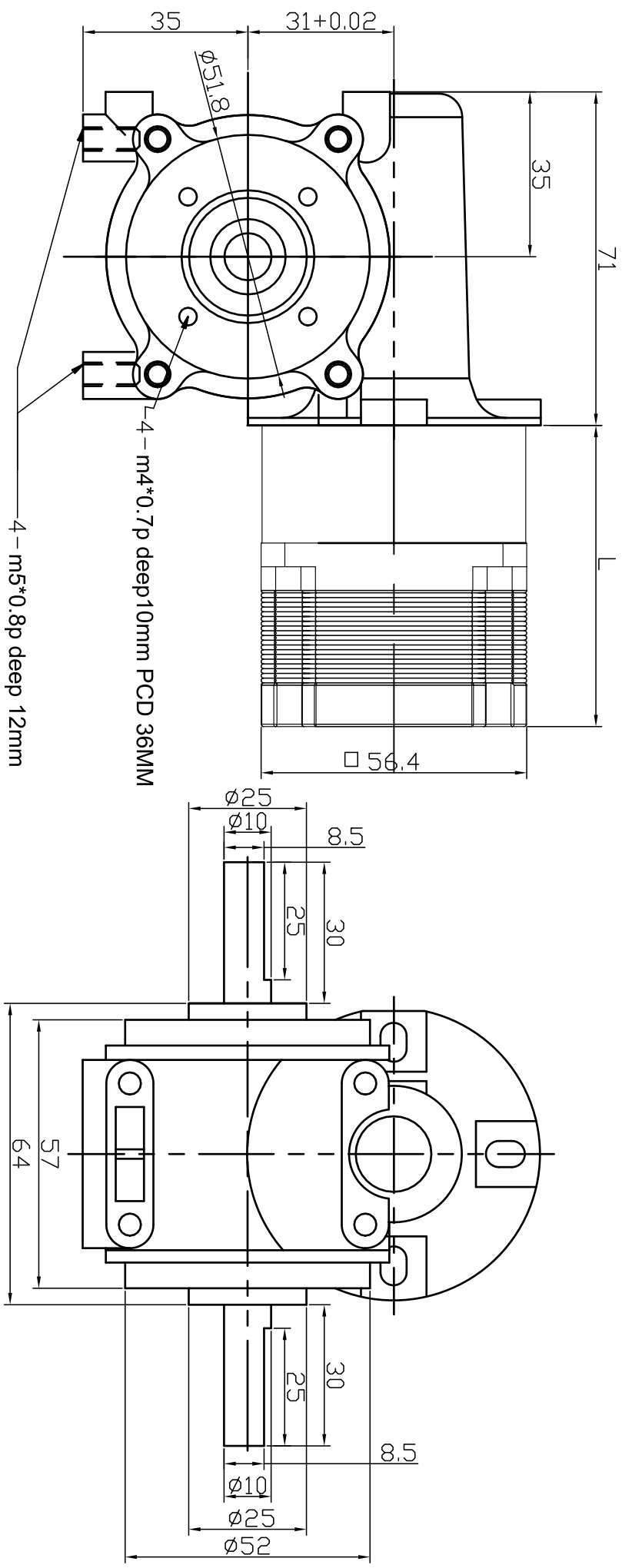


Model No.	Step Angle (degrees)	Rated Voltage (VDC)	Rated Current (A/Phase)	Holding Torque (gf-cm)	Winding Resistance (Ω ±10%/Phase)	Inductance (mH20%/Phase)	Rotor Inertia (g-cm ²)	Weight (gw)	L
KST56XXS	1.8	7.2	1.0	3900	7.2	6.8	90	400	64
KST56XS	1.8	5.7	1.0	4300	5.7	5	120	470	68.5



OUTPUT SHAFT: LEFT, RIGHT, BOTH SIDE OPTION

RATIO	10	15	30
-------	----	----	----

DORYDKU TECHNICAL CORP.					5	
日期	2018/DEC/21			更改	4	
核准	校對	設計	莊明衡	製圖	3	
名稱	WGST56-XS OUTLINE			TOKU	2	
	WGST56-XXS OUTLINE			材質	1	
				圖號		
				整理		
				號碼		
				WGST56B		