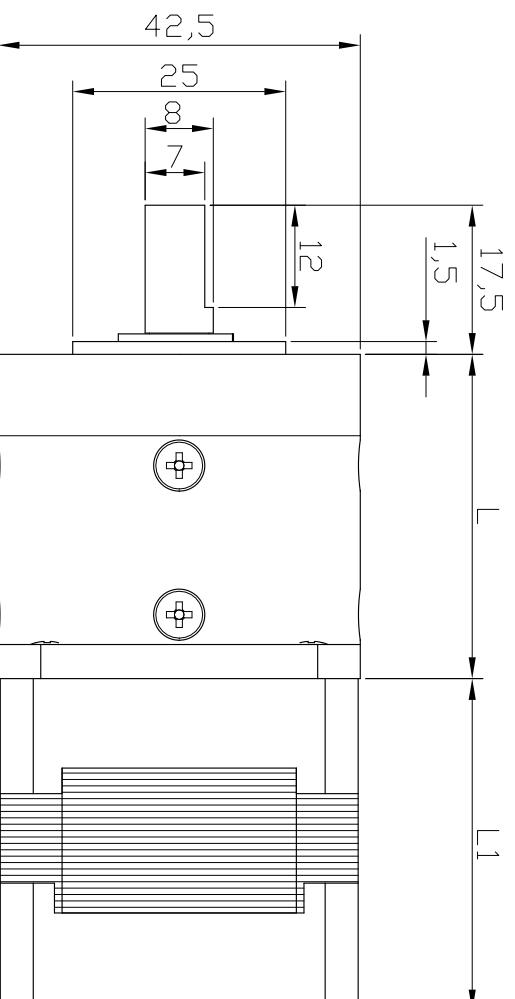
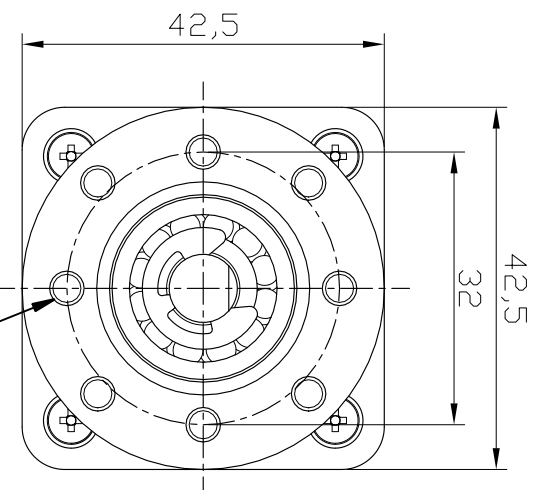
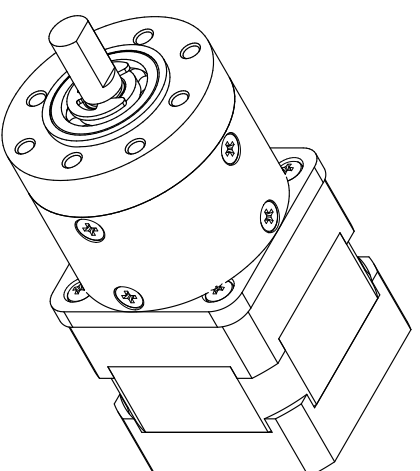


RATIO	L	RATIO	L
1/171	1/210	1/4	37.5
1/259	1/294	1/14	45.5
1/325	1/361	1/49	1/60
1/443	1/504	1/75	1/84
1/619	1/864	1/103	1/144



Model No.	Step Angle (degrees)	Rated Voltage (VDC)	Rated Current (A/Phase)	Rated Holding Torque (gf-cm)	Winding Resistance ($\Omega \pm 10\%$ /Phase)	Inductance (mH20%/Phase)	Rotor Inertia (g-cm ²)	Weight (gw)	L1
KST42XS-EF27A	1.8	1.9	1.4	800	1.35	1.2	16	150	20.5
KST42S-EX27A	1.8	2.6	1.4	1400	1.85	2.0	18	150	23.5
KST42M-ES61A	1.8	4.0	0.95	1600	4.2	2.6	35	200	33
KST42L-EM61A	1.8	4.0	1.2	2600	3.3	3.6	53	250	39
KST42XL-EL61A	1.8	4.0	1.2	3200	3.3	3.1	68	350	47

微動力科技有限公司
DORYOKU TECHNICAL CORP.

圖號 P43C-ST42