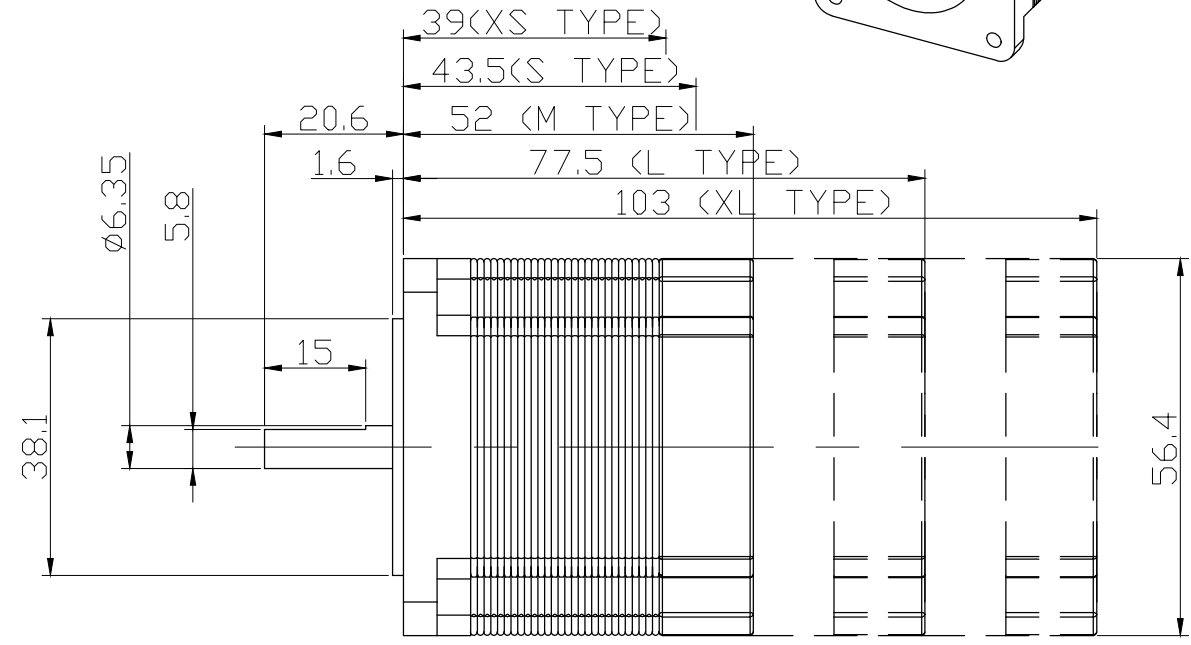
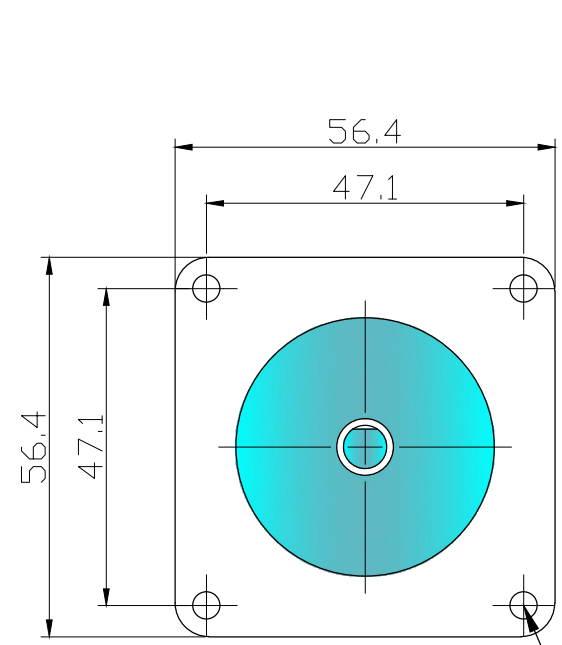
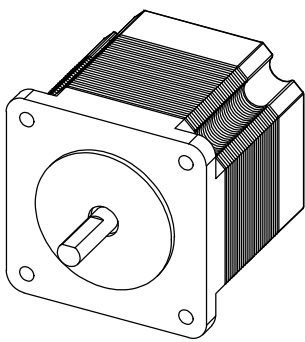
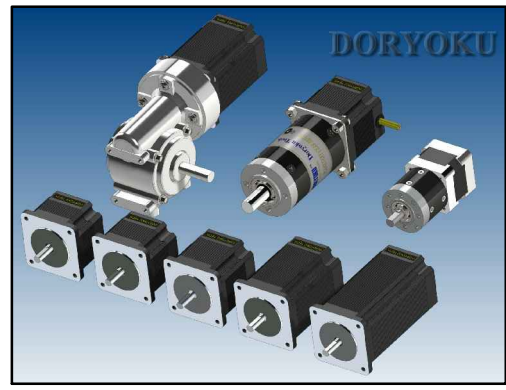


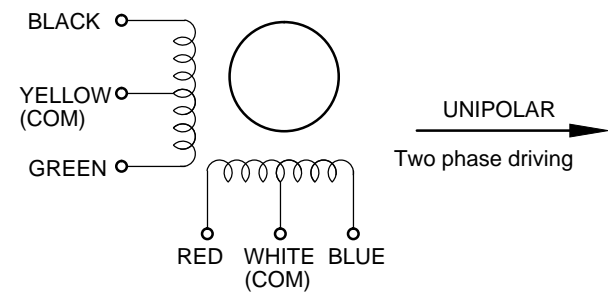
Model No.	Step Angle (degrees)	Rated Voltage (VDC)	Rated Current (A/Phase)	Holding Torque (gf-cm)	Winding Resistance ( $\Omega \pm 10\% / \text{Phase}$ )	Inductance (mH20% /Phase)	Rotor Inertia (g-cm <sup>2</sup> )	Weight (gw)	L
KST56-XS	0.9	5.7	1.0	3900	5.7	6.3	90	400	39
KST56-S	0.9	1.9	3.0	4300	0.63	0.7	120	450	43.5
KST56-M	0.9	3.6	2.0	8500	1.8	4.2	300	700	52
KST56-L	0.9	3.0	3.0	13500	1.0	2.2	480	1000	77.5
KST56-XL	0.9	3.0	3.0	13500	1.0	2.2	480	1000	103



4- $\phi 5$  HOLE



**Unipolar- 6 leads specification WIRING DIAGRAM**



STEP	Black	Red	Green	Blue	COM	CCW
1	+	+	-	-	+ VDC	↑ ↓ CW
2	-	+	+	-		
3	-	-	+	+		
4	+	-	-	+		
1	+	+	-	-		

DORYOKU TECHNICAL CORP.

STEPPING-KST56-XS-S-M-L-XL