

**PLANETARY GEARED MOTOR
P22 LONG V.(ENCODER OPTION)**

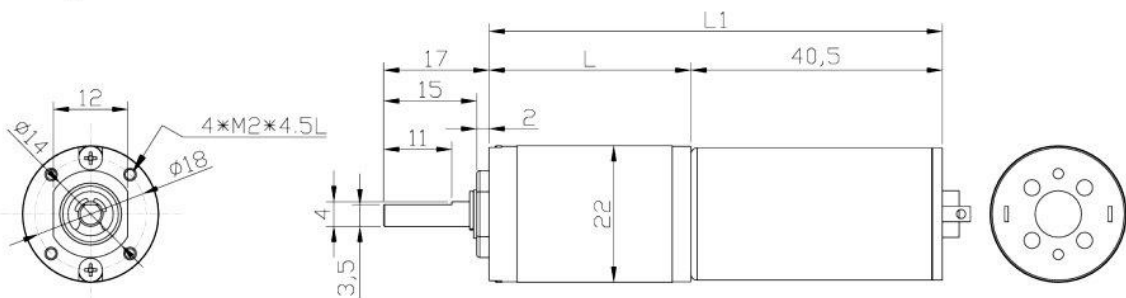
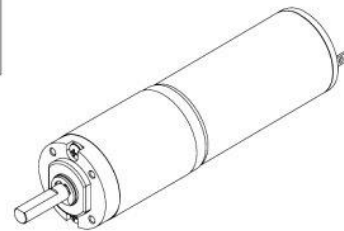


DIA22mm LENGTH 59-74mm
MAX. TORQUE SUGGESTION 8 kg-cm
RATIO: 1/4 ~ 1/424

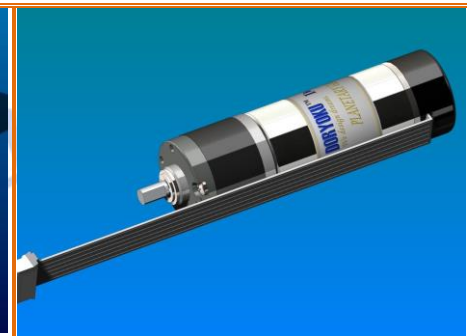
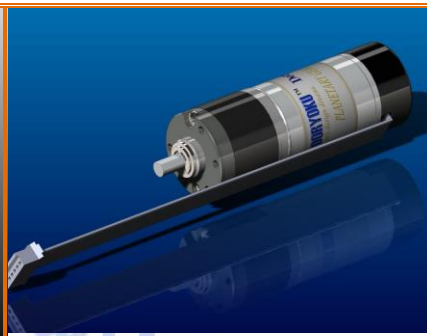
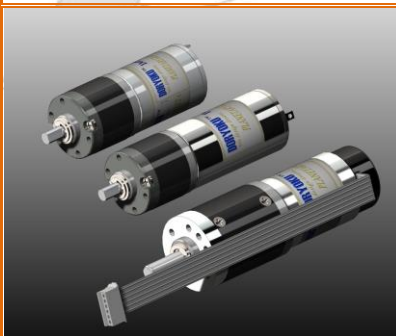
RATIO	L	L
1/4	15.9	56.4
1/15.6~1/20.9	21.4	61.9
1/61.6~1/94.2	26.9	67.4
1/277.3~1/423.9	32.3	72.8

P22L-B-M21

- 1 stage : 1/4
- 2 stages : 1/16 , 1/18 , 1/21
- 3 stages : 1/62 , 1/70 , 1/80 , 1/94
- 4 stages : 1/243 , 1/277 , 1/316 , 1/360 , 1/424



Performance Curves of Torque, Current, Speed will be attached as sample request.

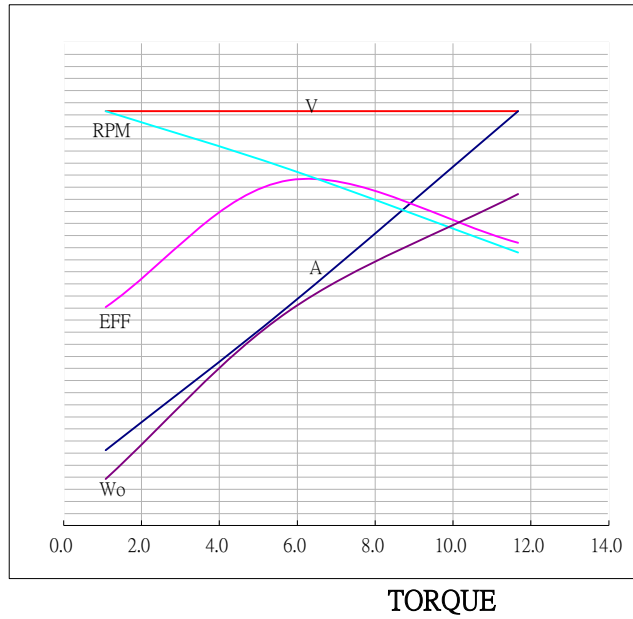


*Shorter Version / Magnetic encoder OPTION

DORYOKU TECHNICAL CORP.

DC MOTOR TESTED TECHNICAL DATA

(%)	(W)	(RPM)	(W)	(A)	(V)
EFF.	PO	N	PI	I	V
50.4	6.77	69	15.7	0.7	24.0
45.3	6.09	62	14.2	0.6	21.6
40.3	5.41	55	12.6	0.5	19.2
35.3	4.74	48	11.0	0.5	16.8
30.2	4.06	41	9.4	0.4	14.4
25.2	3.38	34	7.9	0.3	12.0
20.2	2.71	27	6.3	0.3	9.6
15.1	2.03	21	4.7	0.2	7.2
10.1	1.35	14	3.1	0.1	4.8
5.0	0.68	7	1.6	0.1	2.4
0.0	0.00	0	0.0	0.0	0.0

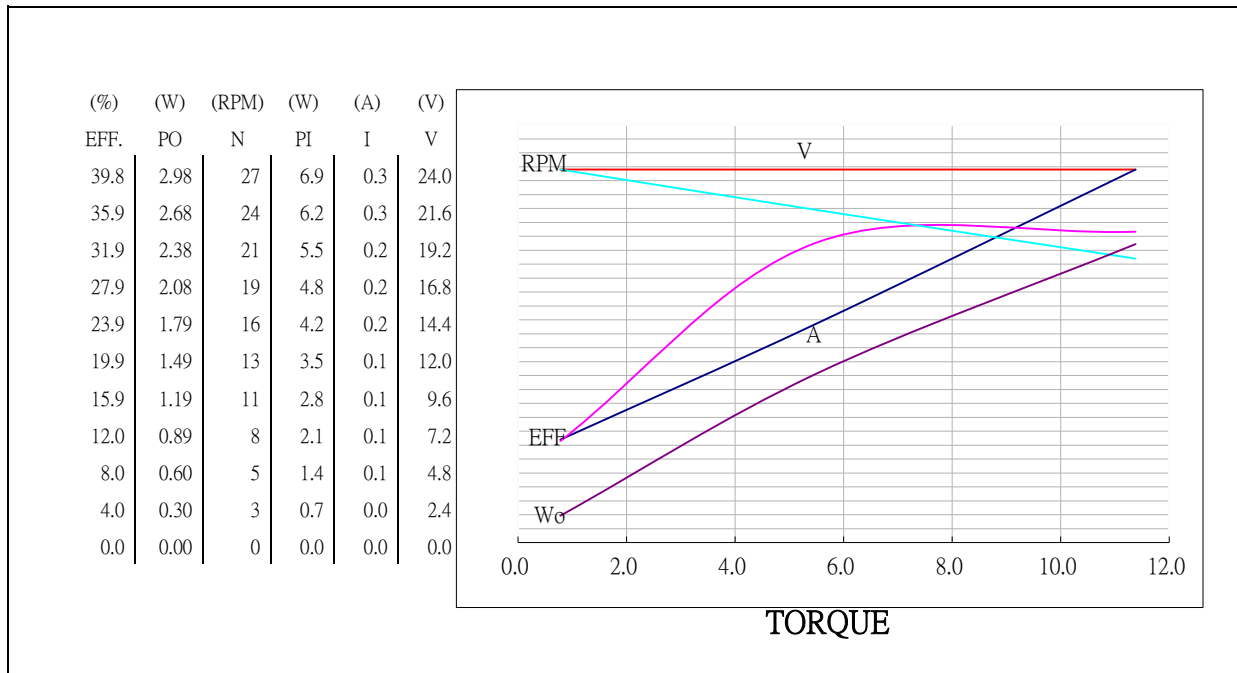


		MACHINE TYPE:	10 KG	
Date	6/01/2010	GEAR RATIO	1/126	
MODEL NAME:	P 22	NO LOAD SPEED	70.8	
BATCH NAME:	P220126M21402490	VOLTAGE	24	CURRENT:

NO	(V) VOLTAGE	(A) AMP.	(W) INPUT	(KG-CM) TORQUE	(RPM) SPEED	(W) OUTPUT	(%) EFF.
1	24.0	0.12	2.9	1.08	68.60	0.8	26.56
2	24.0	0.17	4.1	2.25	66.80	1.5	38.03
3	24.0	0.24	5.7	3.43	63.80	2.2	39.22
4	24.0	0.30	7.2	4.61	61.00	2.9	40.32
5	24.0	0.35	8.4	5.79	59.00	3.5	41.98
6	24.0	0.41	9.8	6.97	55.90	4.0	40.87
7	24.0	0.48	11.5	8.14	53.40	4.5	38.95
8	24.0	0.54	12.9	9.32	50.60	4.8	37.56
9	24.0	0.60	14.3	10.50	47.70	5.1	35.90
10	24.0	0.66	15.7	11.67	45.20	5.4	34.38

DORYOKU TECHNICAL CORP.

DC MOTOR TESTED TECHNICAL DATA



	MACHINE TYPE:	10 KG	
Date	10/1/2012	GEAR RATIO	1/243
MODEL NAME:	P22	NO LOAD SPEED	27.1
BATCH NAME:	P220243M21402460	VOLTAGE	24
		CURRENT:	0.06

NO	(V) VOLTAGE	(A) AMP.	(W) INPUT	(KG-CM) TORQUE	(RPM) SPEED	(W) OUTPUT	(%) EFF.
1	24.0	0.08	1.9	0.78	26.80	0.2	11.24
2	24.0	0.10	2.4	1.96	26.10	0.5	22.00
3	24.0	0.12	2.9	3.14	25.40	0.8	28.59
4	24.0	0.15	3.6	4.32	24.50	1.1	30.35
5	24.0	0.17	4.1	5.49	23.90	1.3	33.20
6	24.0	0.19	4.5	6.67	23.40	1.6	35.33
7	24.0	0.22	5.2	7.85	22.50	1.8	34.53
8	24.0	0.24	5.7	9.03	21.90	2.0	35.44
9	24.0	0.27	6.4	10.20	21.10	2.2	34.28
10	24.0	0.29	6.9	11.38	20.40	2.4	34.43



覆核：

品管：

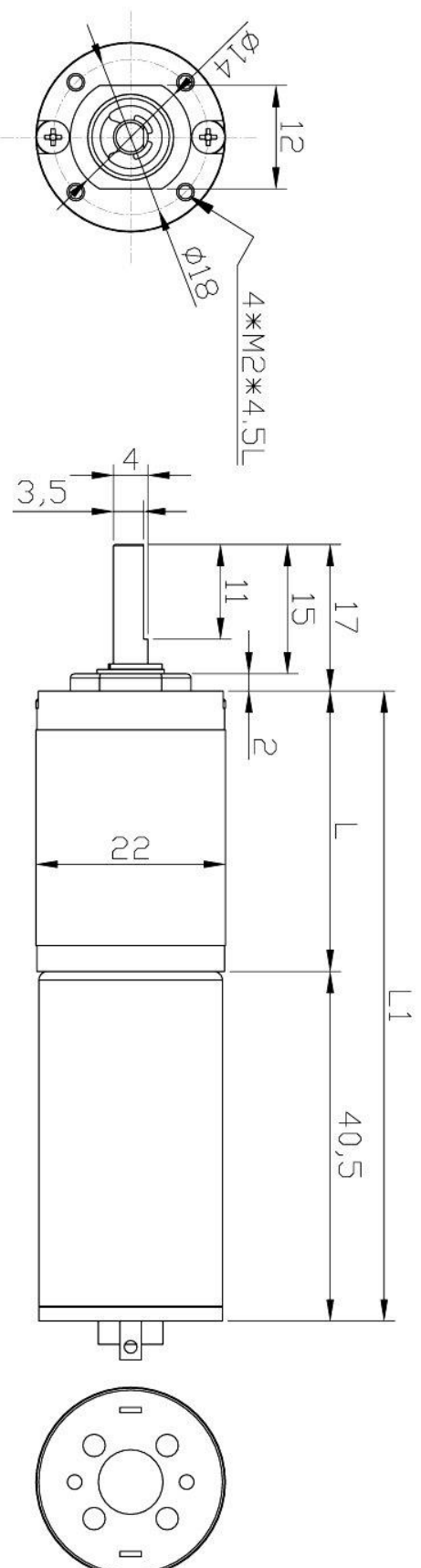
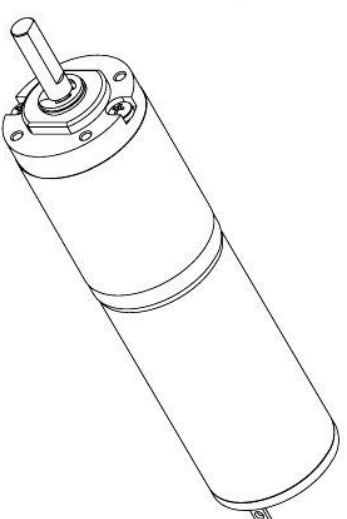
工程：許恆嘉

表單編號：QC-0005 版次：01

RATIO	L	L
1/4	15.9	56.4
1/15.6~1/20.9	21.4	61.9
1/61.6~1/94.2	26.9	67.4
1/277.3~1/423.9	32.3	72.8

P22L-B-M21

- 1 stage : 1/4
- 2 stages : 1/16 , 1/18 , 1/21
- 3 stages : 1/62 , 1/70 , 1/80 , 1/94
- 4 stages : 1/243 , 1/277 , 1/316 , 1/360 , 1/424



Voltage Range: 6.0 - 28.0V
Output Speed: 3 - 2000 rpm

設計	Wing	比例	1:1	圖號	P22L-B-M21
繪圖	ERIN	單位	M/M		
日期	08/30/2020	DORYOKU TECHNICAL CORP.			

微動力科技有限公司

DORYOKU TECHNICAL CORP.