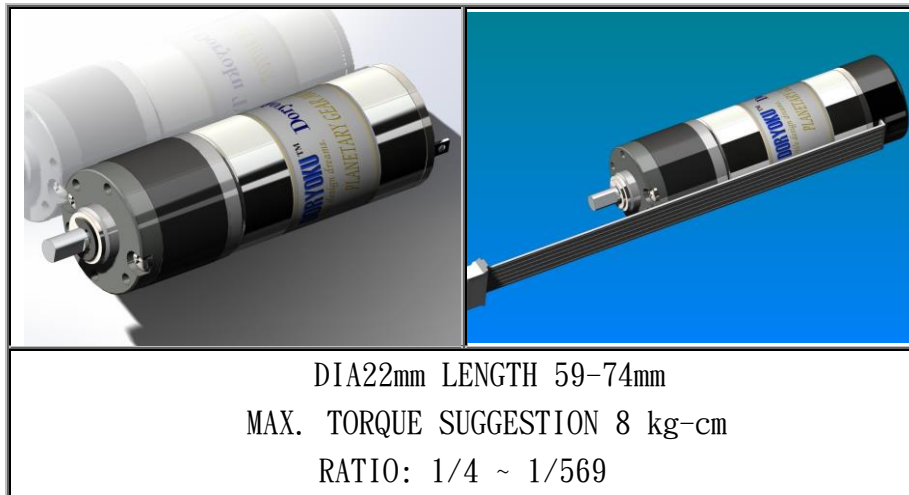
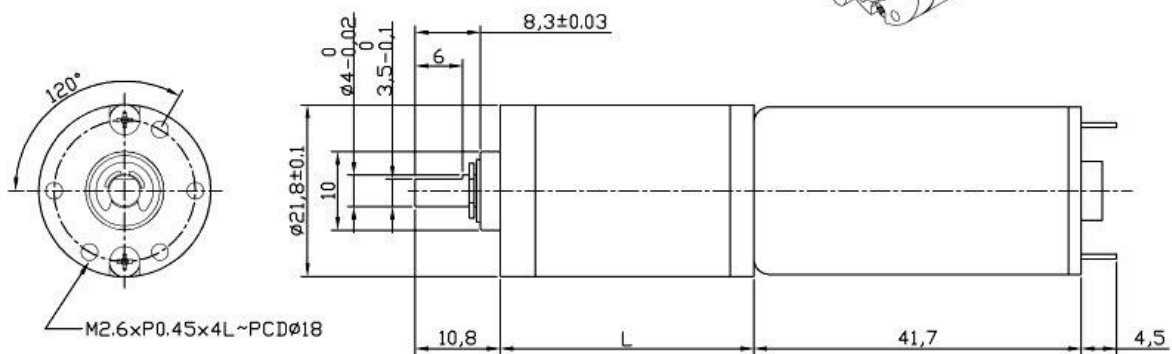
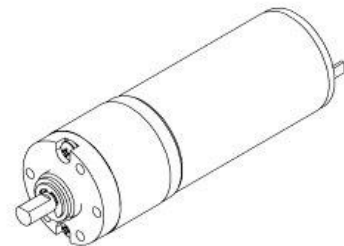


**PLANETARY GEARED MOTOR
P22 LONG V.(ENCODER OPTION)**



比數	L
1/4	15.9
1/15.6~1/20.9	21.4
1/61.6~1/94.2	26.9
1/277.3~1/423.9	32.3

DORYOKU TECH. CORP.
DC Planetary gear motor
Made in Taiwan



Performance Curves of Torque, Current, Speed will be attached as sample request.



*Shorter Version / Magnetic encoder OPTION